



Moldova

REQUEST FOR QUOTATION (RFQ)

NAME & ADDRESS OF FIRM:	DATE: April 13, 2009
-------------------------	-----------------------------

Dear Sir / Madam:

You are kindly requested to submit your quotation for the following items before 16:30 (local time) on **April 17, 2009**.

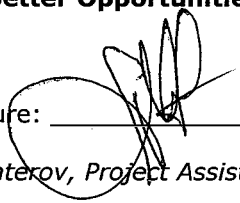
Item	Generic Description [incl. Technical specifications, quality & safety standards, special features required]	Quantity	Dimensions, mm
1	Computer desk with sliding shelf and bedside-table, PAL thickness - 18 mm, ABS	6	1380*670*750
2	Computer desk with sliding shelf, PAL thickness - 18 mm, ABS	7	670*500*750
3	Table, PAL thickness - 18 mm, ABS	4	1200*600*750
4	Conference table made of several pliable modules, PAL thickness - 18 mm, ABS	1	3000*1400*750
5	Ergonomic arm-chair	6	
6	Visitor's chair	30	
7	Bookshelves (with glass doors)	8	800*400*1900
8	Wardrobe, 2 doors -2 partitions (1 partition with shelves, 1 partition with rack and one shelf)	4	1200*600*2100
9	Rack	6	
10	Kitchen table (water and temperature resistant cover)	1	1500*900*750
11	Set of kitchen furniture with space for washing machine, PAL thickness - 18 mm, ABS Shall also include <u>sink</u> (chiuveta de bucatarie) <u>drainpipe</u> (sifon) and tap (robinet)	1	3 linear meters
12	Kitchen stools with back	8	
13	Bed (adult) with straight corners, back and incorporated drawers, PAL thickness - 18 mm, ABS	6	1900*900*650
14	Bed (adult) with straight corners, PAL thickness - 18 mm, ABS	2	1900*900*650
15	Mattress	8	1900*900*180
16	Bed-side table, PAL thickness - 18 mm, ABS	8	450*450*650

CONDITIONS	
Delivery Term (INCOTERMS 2000) & Place	<input type="checkbox"/> FCA <input type="checkbox"/> CPT <input checked="" type="checkbox"/> CIP
Delivery Place	Social Reintegration Centre for Youth located on 14, Ion Voda str. (Kindergarten No.4, Bloc B), town of Telenesti
Payment Terms	20% payment upon contract signature 80% upon delivery of final product
Validity of Quotation	<input type="checkbox"/> 30 DAYS <input checked="" type="checkbox"/> 60 DAYS
Preliminary Examination - Completeness of quotation.	<input type="checkbox"/> Partial bids permitted <input checked="" type="checkbox"/> Partial bids not permitted
Mode of Transport	AIR SEA

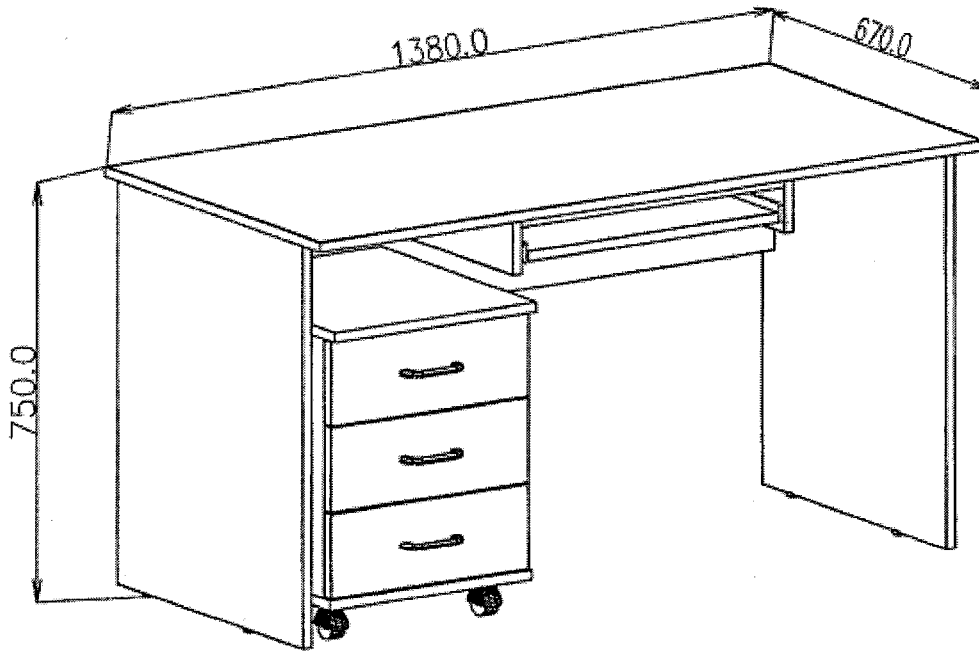
Quantity change	The UNDP reserves the right to modify the quantity by 25% of the tendered goods
General Terms and Conditions	UNDP General Terms and Conditions for Goods/Services http://www.undp.org/procurement/operate.shtml

Please state	
Quantity discount and early payment discount	Shipping weight (kg) and volume (m ³)
Separate quote for estimated transportation & insurance charges	Details on delivery period:
In case when color may influence the final price, please specify the price differences	
Details on any warranty/guarantee conditions:	

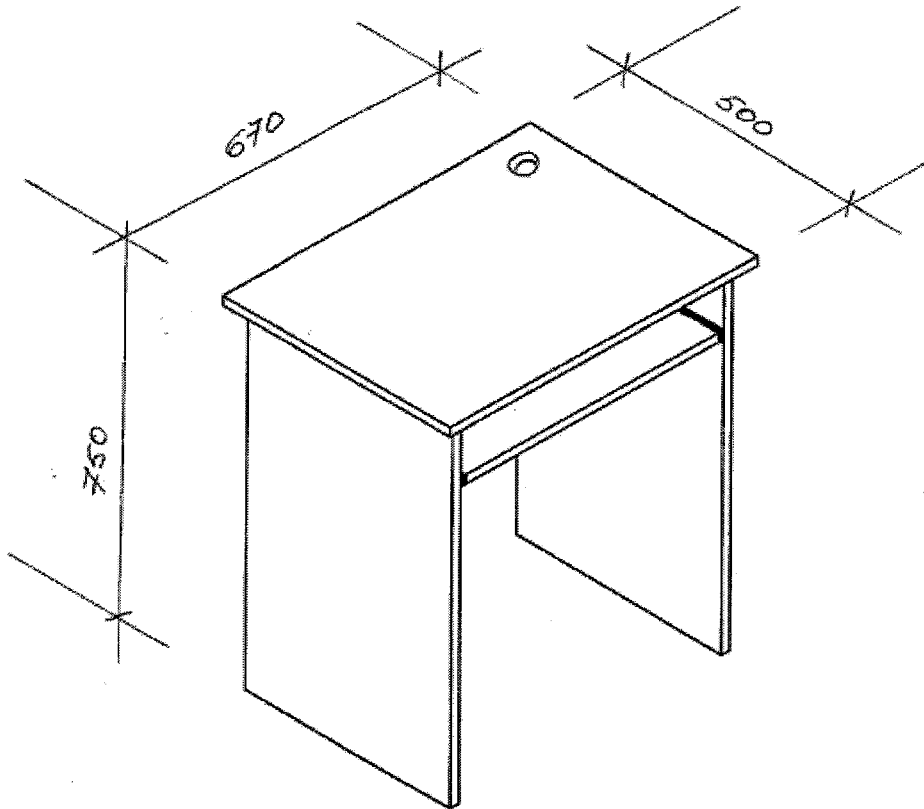
REQUIREMENTS
Language: All documentation, including installation and operating manuals shall be in:
<input checked="" type="checkbox"/> English <input type="checkbox"/> French <input type="checkbox"/> Spanish <input checked="" type="checkbox"/> Others: Romanian
Electricity: Volt: _____ Hz: _____ phase AC: _____
QUOTATIONS/OFFERS PRESENTATION REQUIREMENTS:
The quotation/offer shall contain the following: <ul style="list-style-type: none"> • Company profile (in brief); • Copy of Company's registration certificate; • Quotation for each item in MDL exclusive of VAT (other currency shall be converted in MDL at the UN Operational Rate of exchange on the day of the competition deadline); • Statement of adherence to UNDP General Terms and Condition and Payment and Delivery Terms above; • Your proposal shall include any relevant drawing and specification.
MINIMUM QUALIFICATION REQUIREMENTS:
<ul style="list-style-type: none"> • Delivery term will not exceed 14 calendar days. • Furniture to be manufactured by an authorized company, holder of appropriate license and documentation. Copies of authorizations to be attached to tender participation documents. • Warranty - not less than 18 months.
Offers will be evaluated based on their responsiveness to the technical specifications and the minimum qualification requirements, within the "either in or out" rule.

NAME, FUNCTIONAL TITLE: Viorel Albu, Project Manager, Better Opportunities for Youth and Women Project
Signature:  _____ DATE: <u>13/04/09</u>
CONTACT PERSON: <i>Liliana Caterov, Project Assistant (liliana.caterov@undp.org)</i>
CONTACT ADDRESS: UNDP Moldova, 131, 31 August 1989 Street, MD-2012 Chisinau
SUBMISSION OF OFFERS:
Offers shall be marked with the note " RfQ: BO Project – Furniture for SRCY Telenesti ".
Offers shall reach the UNDP office not later than 17 April 2009, 16:30 (local time) .
Offers can be submitted either in hard copy, or electronically. Offers received by fax will be rejected. Incomplete offers shall not be examined.
a) Documents/offers in hard copy need to be submitted in a sealed envelope and addressed to: <p>UNDP Moldova, 131, 31 August 1989 Street, MD-2012 Chisinau Attention: Registry Office/Procurement</p>
b) Offers sent electronically need to be addressed to the following e-mail address: <p>tenders-Moldova@undp.org</p>

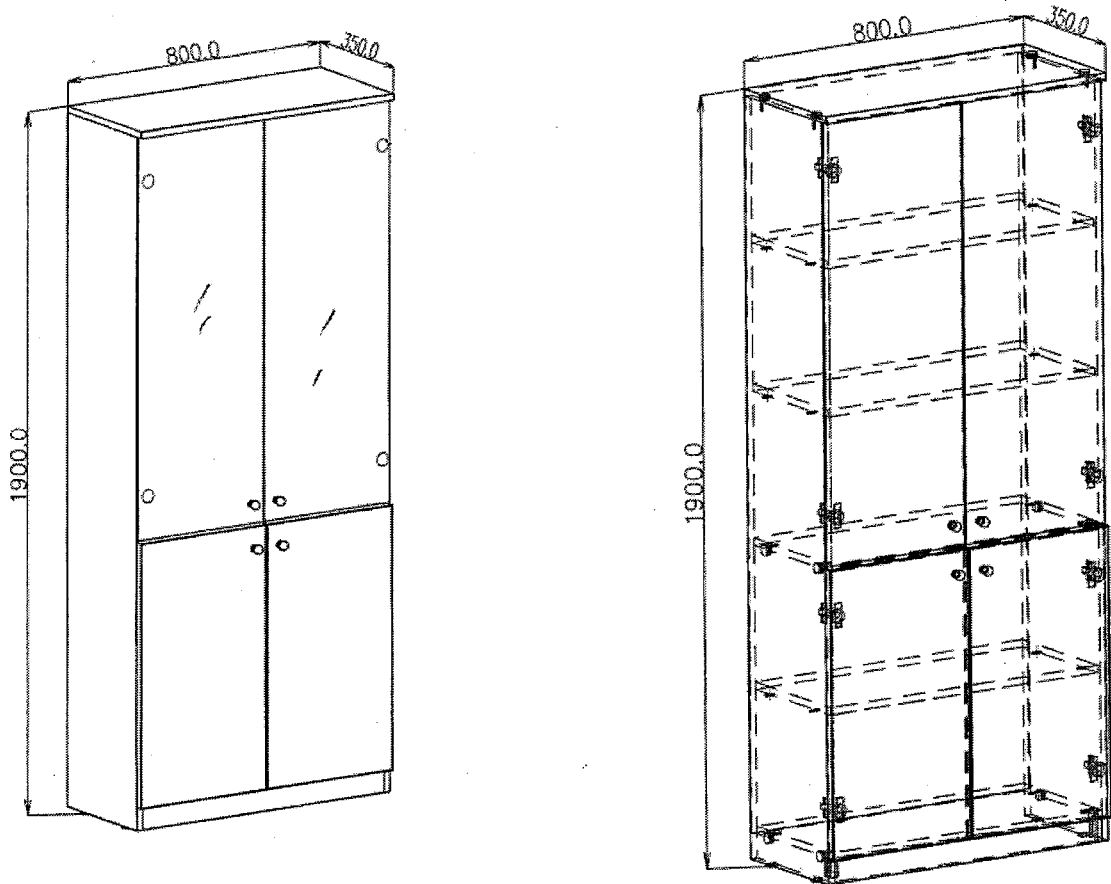
Computer desk with sliding shelf and bedside-table



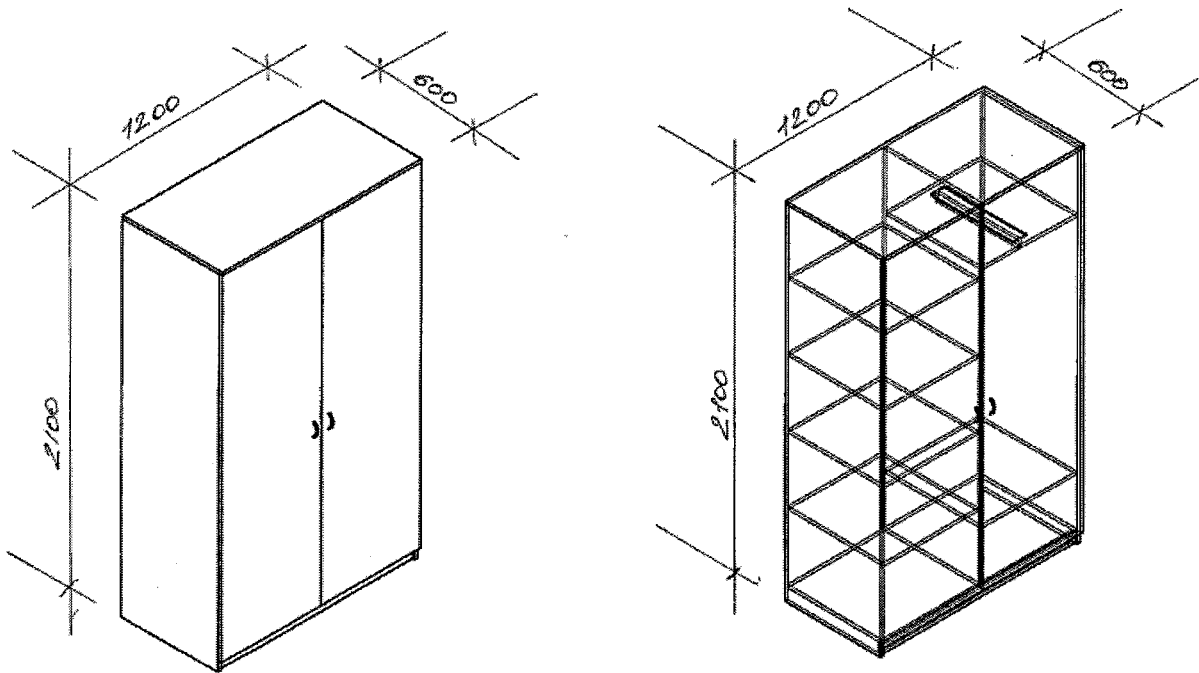
Computer desk with sliding shelf



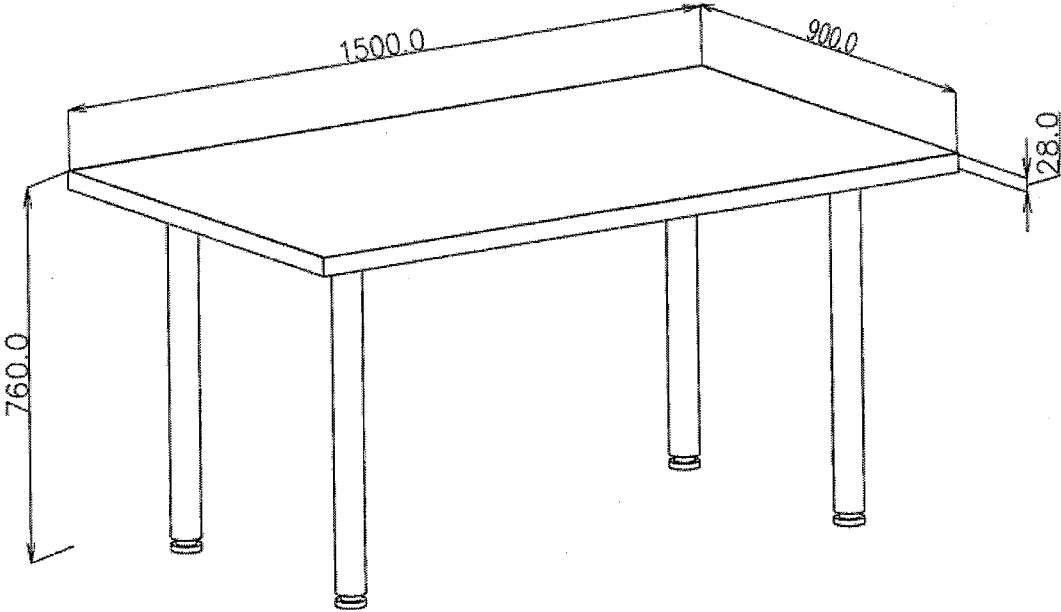
Bookshelves (with glass doors)



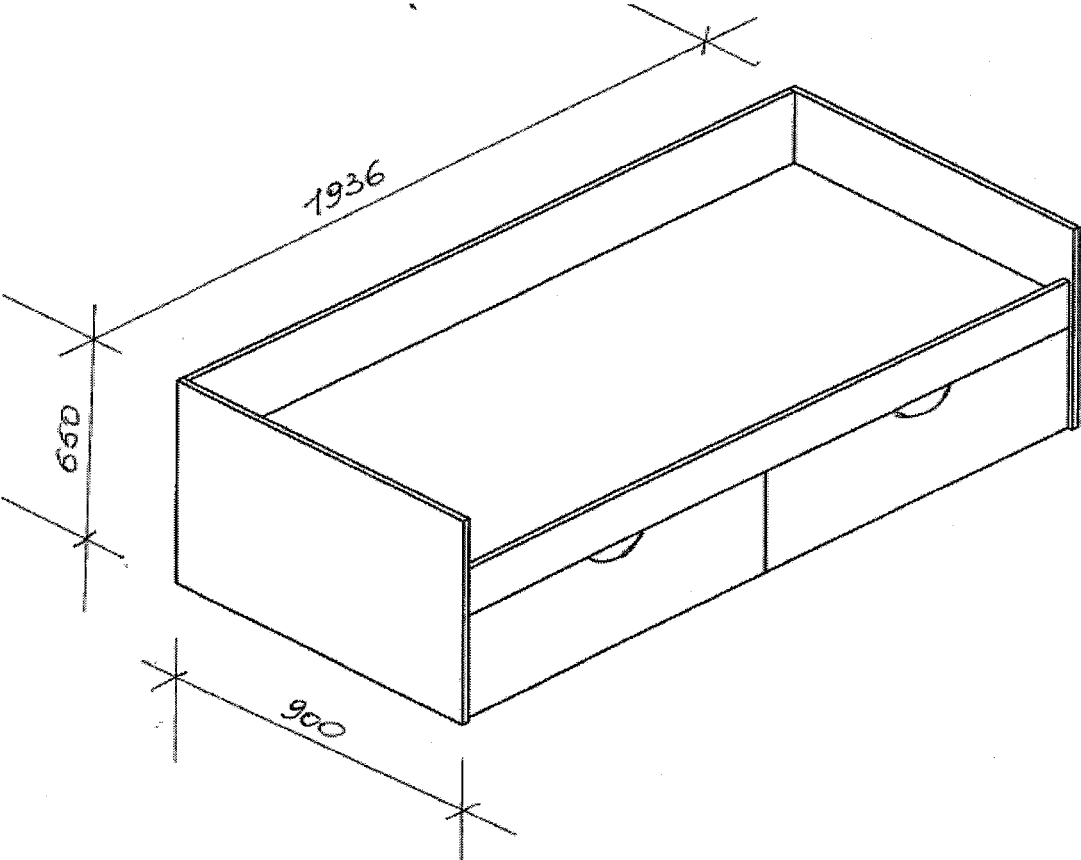
Wardrobe, 2 doors -2 partitions (1 partition with shelves, 1 partition with rack and one shelf)



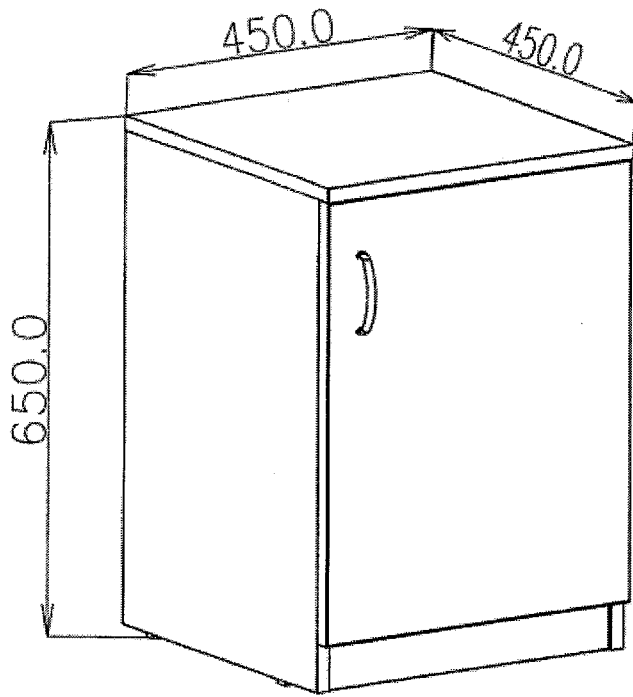
Kitchen table (water and temperature resistant cover)



Bed (adult) with back and incorporated drawers and straight corners (not rounded)



Bed-side table



Table

